

Stenhøj Maestro 35 F, CF, CF-08

Stenhøj Maestro 35 F, CF, CF-08

2-post electro-mechanical lifts

Stenhøj introduces a new generation of Maestro lifts in a new and elegant design.

Maestro 35 is available with flex pads (F), combiflex pads (CF) or combiflex 08 pads (CF-08).

The lifting capacity is 3.5 t, and the lifts are available with two different arm configurations per pad type.

The Maestro 35 lifts are equipped with system against nut breakage, internal arm locking system that is automatically released in bottom position; as well as dead-man controls, separate main switch and obstruction system.

When ordering choose between portal for a total height of either 4350 or 5050 mm; alternatively in-ground kit.

The lifts are as standard without rubber post covers.




STENHØJ
lifting the level

Maestro 35 F is equipped with flex pads – adjustable from 95 to 125 mm. We offer a variety of extra flex and U-pads for all Maestro 35 lifts.

Maestro 35 CF is equipped with combiflex pads – adjustable from 95 to 255 mm.

Maestro 35 CF-08 is equipped with combiflex pads – adjustable from 95 to 250 mm.

Stenhøj Maestro 35 F, CF, CF-08

General technical specifications

Stenhøj lifts are developed, manufactured and type tested in accordance with standard EN1493:2010 and the Machinery Directive 2006/42/EC. The lifts are tested for overloading with loads of 1.5 times the maximum capacity and long-term tested following a pattern of operation varying from 50 % of the lifts' capacity up to 115 % of their capacity (corresponding to 10 years' intensive workshop operation with 6 – 7 lifts per day). Approving bodies: The Danish Technological Institute, TÜV, Bureau Veritas etc.

General surface-technological data:

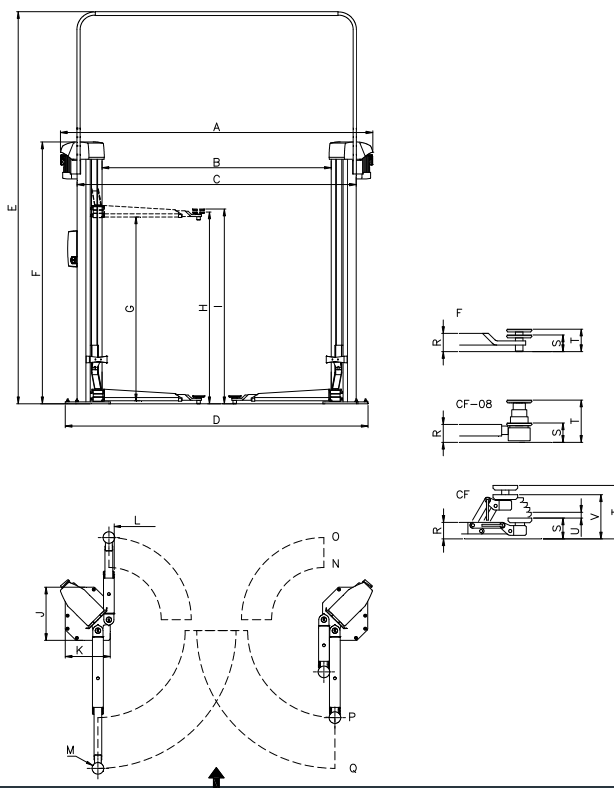
Stenhøj lifts are shot-blasted, de-greased, phosphate treated and powder coated. The result is a robust industrial surface protected to corrosion class C3 in accordance with EN55633.

Technical data

	Maestro 35 F	Maestro 35 CF	Maestro 35 CF-08
Lifting capacity	3500 kg	3500 kg	3500 kg
Lifting / lowering time	40 sec.	40 sec.	40 sec.
Lifting height	1995-2025 mm	1995-2155 mm	1995-2150 mm
Min. height	95 mm	95 mm	95 mm
Motor	2 x 2,8 kW	2 x 2,8 kW	2 x 2,8 kW
Min./max. arm length	600/1220 mm	800/1420 mm	800/1425 mm
For standard models	900/1425 mm	935/1425 mm	920/1440 mm
Voltage	400/3/50	400/3/50	400/3/50

Maestro 35

Model	A	B	C	D	E	F	G	H	I	J	K	L	M	N	O	P	Q	R	S	T	U	V
F (DT/-)	3420	2565	3075	3320	4350	2706	1900	1995	2025	550	465	2290	Ø120	600	1220	900	1425	95	95	125		
F (DT/DT)	3420	2565	3075	3320	4350	2706	1900	1995	2025	550	465	2290	Ø120	600	1220	900	1425	95	95	125		
CF (DT/-)	3420	2565	3075	3320	4350	2706	1900	1995	2155	550	465	2290	Ø120	800	1420	935	1425	95	95	255	25	225
CF (DT/DT)	3420	2565	3075	3320	4350	2706	1900	1995	2155	550	465	2290	Ø120	800	1420	900	1420	95	95	255	25	225
CF-08 (DT/-)	3420	2565	3075	3320	4350	2706	1900	1995	2150	550	465	2290	Ø120	800	1425	920	1440	92	95	250		
CF-08 (DT/DT)	3420	2565	3075	3320	4350	2706	1900	1995	2150	550	465	2290	Ø120	800	1425	800	1425	92	95	250		




STENHØJ
lifting the level

Stenhøj A/S
Denmark

Tel: +45 76 82 13 30
Fax: +45 76 82 13 31
Mail: info@stenhoj.dk
Web: www.stenhoj.dk

Standard colours

Red RAL 3013
White RAL 9002

No liability accepted for specifications, which are subject to alteration.