

Stenhøj Maestro 32 F, CF, CF-08

Stenhøj Maestro 32 F, CF, CF-08

2-post electro-mechanical lifts

Stenhøj introduces a new generation of Maestro lifts in a new and elegant design.

Maestro 32 is available with flex pads (F), combiflex pads (CF) or combiflex 08 pads (CF-08).

The lifting capacity is 3.2 t, and the lifts are available with three different arm configurations per pad type.

The Maestro 32 lifts are equipped with system against nut breakage, internal arm locking system that is automatically released in bottom position; as well as dead-man controls, separate main switch and obstruction system.

When ordering choose between portal for a total height of either 4050 or 4350 mm; alternatively in-ground kit.

The lifts are as standard without rubber post covers.




STENHØJ
lifting the level

Maestro 32 F is equipped with flex pads – adjustable from 95 to 125 mm. We offer a variety of extra flex and U-pads for all Maestro 32 lifts.

Maestro 32 CF is equipped with combiflex pads – adjustable from 95 to 255 mm.

Maestro 32 CF-08 is equipped with combiflex pads – adjustable from 95 to 250 mm.

Stenhøj Maestro 32 F, CF, CF-08

General technical specifications

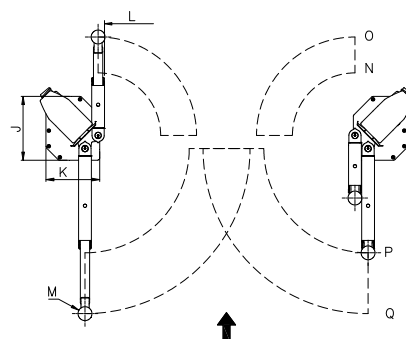
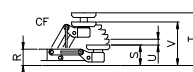
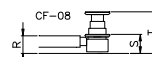
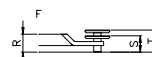
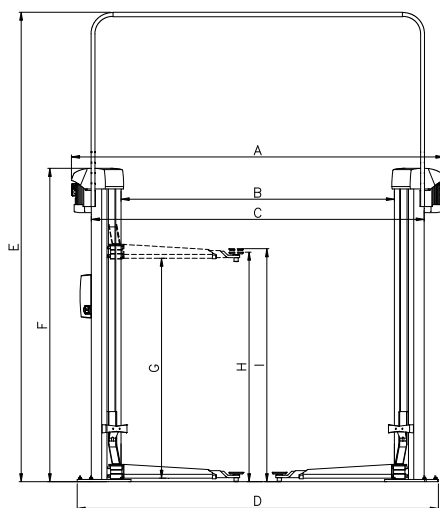
Stenhøj lifts are developed, manufactured and type tested in accordance with standard EN1493:2010 and the Machinery Directive 2006/42/EC. The lifts are tested for overloading with loads of 1.5 times the maximum capacity and long-term tested following a pattern of operation varying from 50 % of the lifts' capacity up to 115 % of their capacity (corresponding to 10 years' intensive workshop operation with 6 – 7 lifts per day). Approving bodies: The Danish Technological Institute, TÜV, Bureau Veritas etc.

General surface-technological data:

Stenhøj lifts are shot-blasted, de-greased, phosphate treated and powder coated. The result is a robust industrial surface protected to corrosion class C3 in accordance with EN5633.

Technical data	Maestro 32 F	Maestro 32 CF	Maestro 32 CF-08
Lifting capacity	3200 kg	3200 kg	3200 kg
Lifting/lowering time	40 Sek.	40 Sek.	40 Sek.
Lifting height	1995-2025 mm	1995-2155 mm	1995-2150 mm
Min. height	95 mm	95 mm	95 mm
Motor	2 x 1,5 kW	2 x 1,5 kW	2 x 1,5 kW
Min./max. arm length	540/850 mm	580/885 mm	555/840 mm
	900/1425 mm	930/1425 mm	920/1415 mm

Model	A	B	C	D	E	F	G	H	I	J	K	L	M	N	O	P	Q	R	S	T	U	V
F	3220-3420	2365-2565	2875-3075	3120-3320	4050/4350	2706	1900	1995	2025	550	465	2110-2310	Ø120	540	850	900	1425	95	95	125		
F (DT/-)	3220-3420	2365-2565	2875-3075	3120-3320	4050/4350	2706	1900	1995	2025	550	465	2085-2285	Ø120	480	840	900	1425	95	95	125		
F (VAN)	3220-3420	2365-2565	2875-3075	3120-3320	4050/4350	2706	1900	1995	2025	550	465	2110-2310	Ø120	800	1250	900	1425	95	95	125		
CF	3220-3420	2365-2565	2875-3075	3120-3320	4050/4350	2706	1900	1995	2155	550	465	2110-2310	Ø120	580	885	930	1425	95	95	255	25	225
CF (DT/-)	3220-3420	2365-2565	2875-3075	3120-3320	4050/4350	2706	1900	1995	2155	550	465	2085-2285	Ø120	480	840	930	1425	95	95	255	25	225
CF (VAN)	3220-3420	2365-2565	2875-3075	3120-3320	4050/4350	2706	1900	1995	2155	550	465	2110-2310	Ø120	800	1250	930	1425	95	95	255	25	225
CF-08	3220-3420	2365-2565	2875-3075	3120-3320	4050/4350	2706	1900	1995	2150	550	465	2110-2310	Ø120	555	840	920	1415	92	95	250		
CF-08 (DT/-)	3220-3420	2365-2565	2875-3075	3120-3320	4050/4350	2706	1900	1995	2150	550	465	2085-2285	Ø120	450	795	920	1415	92	95	250		
CF-08 (VAN)	3220-3420	2365-2565	2875-3075	3120-3320	4050/4350	2706	1900	1995	2150	550	465	2110-2310	Ø120	800	1215	920	1415	92	95	250		




STENHØJ
lifting the level

Stenhøj A/S
Denmark

Tel: +45 76 82 13 30
Fax: +45 76 82 13 31
Mail: info@stenhoj.dk
Web: www.stenhoj.dk

Standard colours

Red RAL 3013
White RAL 9002

No liability accepted for specifications, which are subject to alteration.