

# Stenhøj Maestro 2.55 F

## Stenhøj Maestro 2.55 F

2-post electro-mechanical lift

The Maestro 2.55 F is developed for heavier passenger cars and vans. The lift is especially suitable for repairs that require free access to wheels and underbody.

The Maestro 2.55 F is designed for vehicles with medium to long wheel bases. The lift has a capacity of 5.5 t.

The slim, symmetric construction allows for very easy access, and the lift is equipped with an elegant control box with dead-man controls, separate main switch as well as programmable top stop.



Maestro F-pad is delivered as standard with 30-60 mm flex pads.

We offer as optional extras a large program of U- and flex pads; fixed as well as adjustable, as well as pads developed especially for VW Crafter and Sprinter. Besides the various lifting pads we offer LED lighting set, extra control unit, air/power unit, wheel holders, tool tray sets, wheel supports.



**STENHØJ**  
lifting the level

# Stenhøj Maestro 2.55 F

## General technical specifications

Stenhøj lifts are developed, manufactured and type tested in accordance with standard EN1493:2010 and the Machinery Directive 2006/42/EC. The lifts are tested for overloading with loads of 1.5 times the maximum capacity and long-term tested following a pattern of operation varying from 50 % of the lifts' capacity up to 115 % of their capacity (corresponding to 10 years' intensive workshop operation with 6 – 7 lifts per day). Approving bodies: The Danish Technological Institute, TÜV, Bureau Veritas etc.

## General surface-technological data:

Stenhøj lifts are shot-blasted, de-greased, phosphate treated and powder coated. The result is a robust industrial surface protected to corrosion class C3 in accordance with EN55633.

The Maestro 2.55 F is without base frame, and can be installed either with a portal or with in-ground connection kit.

Top safety:

- Nut breakage system
- Obstruction system
- Automatic arm lock system
- Electronic synchronization system

Double telescopic arms:  
957/1900 mm

## Technical data

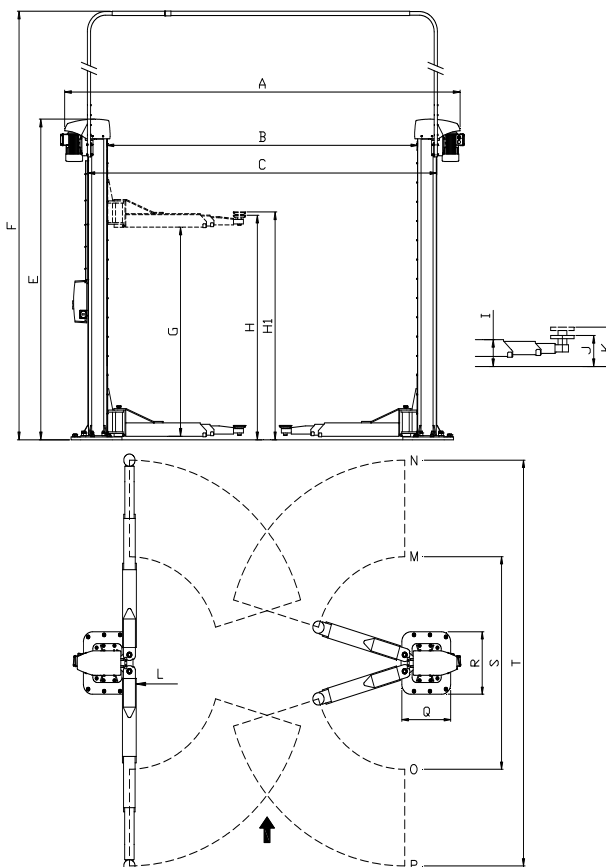
## 2.55 F

Lifting capacity	5500 kg
Lifting/lowering time	55 sec.
Lifting height	2040-2070 mm
Min. height	140 mm
Motor	2 x 2.8 kW
Min./max. arm length	957 mm/1900 mm

Model	A	B	C	D	E	F	G	H*	H1*	I
2.55 F	4095-4295	3185-3385	3560-3760	3910-4110	2908	4910-5270	1900	2040	2070	150

	J	K	L	M	N	O	P	Q	R	S	T
2.55 F	140	170	2800-3000	957	2138	957	1900	520	610	2075	3960

\* incl. standard pads!



  
**STENHØJ**  
lifting the level

Stenhøj A/S  
Denmark

Tel: +45 76 82 13 30  
Fax: +45 76 82 13 31  
Mail: info@stenhoj.dk  
Web: www.stenhoj.dk

## Standard colours

Red RAL 3013  
White RAL 9002

No liability accepted for specifications, which are subject to alteration.