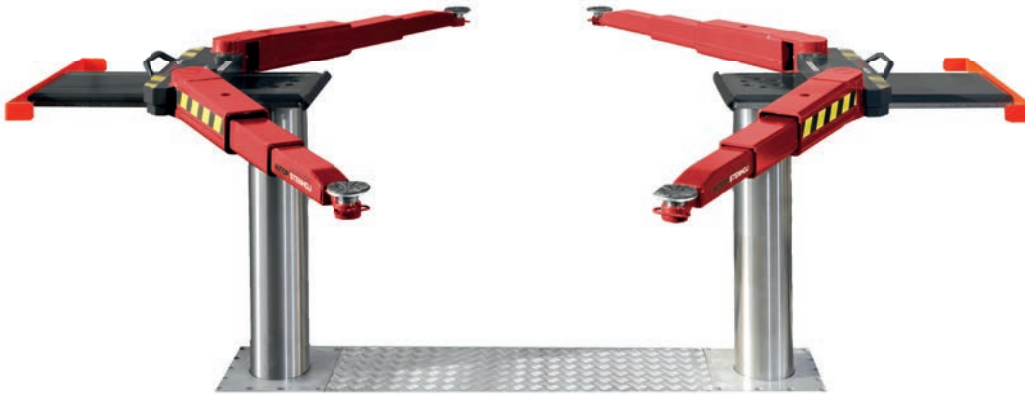


Application

- Repair and maintenance

Approvals

- Jaguar
- Landrover
- Opel
- Volkswagen Group



Biglift 2.50/55 Saav 145 Jumbo

Electro-hydraulic twin-ram lift, 5/5.5 t with superstructure with arms

Description:

Steel cassette:

- Waterproof steel cassette

Hydraulic unit:

- Hard-chrome plated cylinder
- Flexible synchronization and safety system
- Corrosion-free guiding elements
- Pump unit with immersed motor
- Ecological hydraulic fluid
- Pneumatic emergency lowering
- Programmable pushbutton control unit – great stability, even with uneven weight distribution; due to the cylinder diameter of 213 mm

Superstructure:

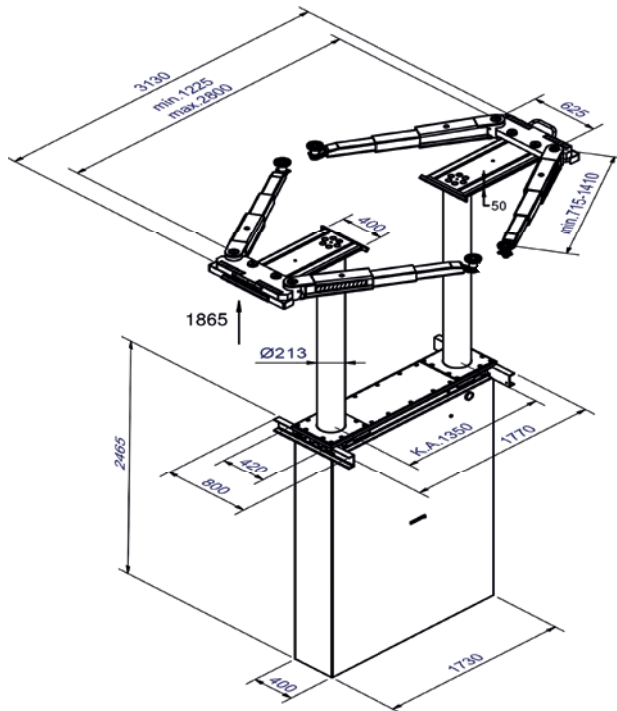
- Double telescopic arms, crosswise adjustable
- Internal arm locking system
- Low minimum height

Standard colours

- Base plate: Grey RAL 7016
- Arms: Red RAL 3020

Technical data	
Lifting capacity	5,000 / 5,500 kg
Lifting height	1,865 mm
Working height	2,000 - 2,060 mm
Cylinder diameter	2 x 213 mm
Distance between cylinders	1,350 mm
Lifting / lowering time	app. 45 Sec.
Foundation depth	2,625 mm
Pump unit	3.0 kW
Ecological hydraulic fluid	18 l
Voltage	230/400 V - 50 Hz - 16 A

Arm superstructure	
Total width	3,130 mm
Lifting pad included in the delivery	11028 (135 - 195 mm)
Min. height	135 - 195 mm
Arm length, min. - max.	715 - 1,410 mm


autop Maschinenbau GmbH

Sandkampstraße 90
 48432 Rheine | Germany
 ☎ +49 5971 8602-02
 ☎ +49 5971 8602-25
 ✉ info@autopstenhoj.com

STENHOJ A/S

Barrit Langgade 188-190
 7150 Barrit | Denmark
 ☎ +45 76821-330
 ☎ +45 76821-331
 ✉ info@autopstenhoj.com

Versions:
Steel cassette:

- Zinc-coated
- Coated
- Self-carrying

Installation:

- Superstructure on floor
- Ceiling installation

Optional extras:

- Large program of extra pads

**Special colours available
 on request!**

