

Application

- Repair and maintenance

Approvals

- Jaguar
- Opel
- Renault
- Volkswagen Group
- ML 2.35 Saav Van Universal:
Mercedes-Benz



Masterlift 2.35 Saav 135 Van

Electro-hydraulic twin-ram lift, 3.5 t capacity, superstructure with adjustable arms

Description:

Steel cassette:

- Waterproof steel cassette

Hydraulic unit:

- Hard-chrome plated cylinder
- Flexible synchronization and safety system
- Corrosion-free guiding elements
- Pump unit with immersed motor
- Ecological hydraulic fluid
- Pneumatic emergency lowering
- Programmable pushbutton control unit

Superstructure:

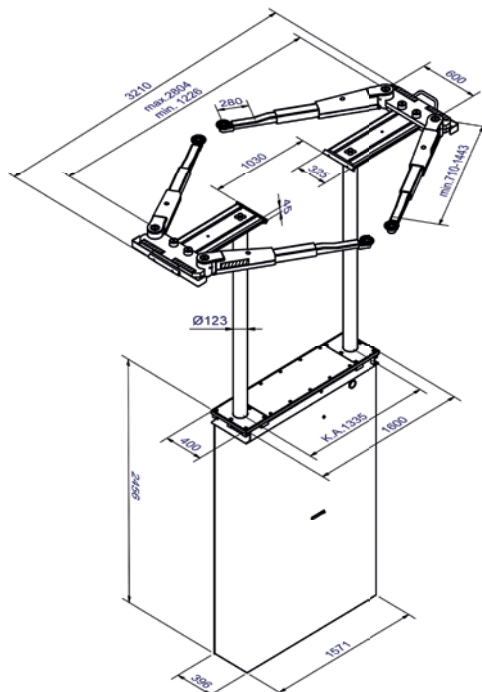
- Double-telescopic arms
- Internal arm locking system
- Low minimum height

Standard colours

- Base plate: Grey RAL 7016
- Arms and slider: Red RAL 3020

Technical data	
Lifting capacity	3,500 kg
Lifting height	1,950 mm
Working height	2,020 – 2,085 mm
Cylinder diameter	2 x 123 mm
Distance between cylinders	1,335 mm
Lifting / lowering time	app. 30 Sec.
Foundation depth	2,625 mm
Pump unit	3.0 kW
Ecological hydraulic fluid	10 l
Voltage	230/400 V - 50 Hz - 16 A

Arm superstructure	
Total width	3,210 mm
Lifting pad included in the delivery	Uni: 11027 (95 - 135 mm) Sport: 29265 (70 - 95 mm)
Min. height	Uni: 95 - 135 mm Sport: 70 - 95 mm
Arm length, min. - max.	710 - 1,443 mm



autop Maschinenbau GmbH
Sandkampstraße 90
48432 Rheine | Germany
☎ +49 5971 8602-02
☎ +49 5971 8602-25
✉ info@autopstenhoj.com

STENHOJ A/S
Barrit Langgade 188-190
7150 Barrit | Denmark
☎ +45 76821-330
☎ +45 76821-331
✉ info@autopstenhoj.com

Versions:

Steel cassette:

- Zinc-coated
- Coated
- Self-carrying

Installation:

- Superstructure on floor
- Ceiling installation

Versions:

- Sport & Universal versions

Optional extras:

- Large program of extra pads

Special colours available on request!

