



#### Application

- Repair and maintenance
- Body work

#### Approvals

- Saa 230:
  - BMW / Mini
  - Rolls-Royce
  - Volkswagen Group
- Saa 260 Universal:
  - Mercedes-Benz

## Masterlift 2.35 Saa

Electro-hydraulic twin-ram lift, 3.5 t capacity, superstructure with arms

### Description:

#### Steel cassette:

- Waterproof steel cassette

#### Hydraulic unit:

- Hard-chrome plated cylinder
- Flexible synchronization and safety system
- Corrosion-free guiding elements
- Pump unit with immersed motor
- Ecological hydraulic fluid
- Pneumatic emergency lowering
- Programmable pushbutton control unit

#### Superstructure:

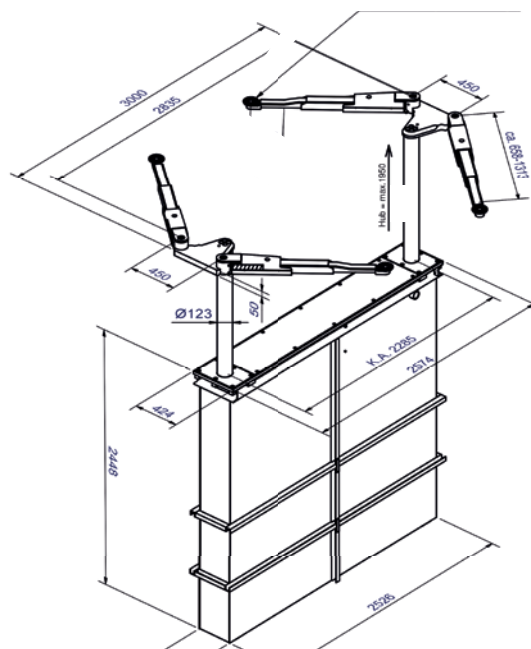
- Double-telescopic arms
- Internal arm locking system
- Low minimum height - perfect for sports cars - with a minimum height under 100 mm

#### Standard colours

- Base plate: Grey RAL 7016
- Arms: Red RAL 3020

Technical data	
Lifting capacity	3,500 kg
Lifting height	1,950 mm
Working height	2,020 - 2,085 mm
Cylinder diameter	Saa 230: 2 x 123 mm Saa 260: 2 x 140 mm
Distance between cylinders	Saa 230: 2,285 mm Saa 260: 2,600 mm
Lifting / lowering time	app. 30 Sec.
Foundation depth	2,625 mm
Pump unit	3.0 kW
Ecological hydraulic fluid	10 l
Voltage	230/400 V - 50 Hz - 16 A

Arm superstructure	
Total width	3,000 mm
Lifting pad included in the delivery	Uni: 11027 (95 - 135 mm) Sport: 29265 (70 - 95 mm)
Min. height	Uni: 95 - 135 mm Sport: 70 - 95 mm
Drive-through width	Saa 230: 2,160 mm Saa 260: 2,455 mm
Arm length, min. - max.	658 - 1,313 mm

**autop Maschinenbau GmbH**

Sandkampstraße 90  
48432 Rheine | Germany  
☎ +49 5971 8602-02  
☎ +49 5971 8602-25  
✉ info@autopstenhoj.com

**STENHOJ A/S**

Barrit Langgade 188-190  
7150 Barrit | Denmark  
☎ +45 76821-330  
☎ +45 76821-331  
✉ info@autopstenhoj.com

**Versions:****Steel cassette:**

- Zinc-coated
- Coated
- Self-carrying

**Installation:**

- Superstructure on floor
- Superstructure in floor (Saa 230)
- Ceiling installation

**Versions:**

- Saa 230 & Saa 260 also available as Sport & Universal versions

**Optional extras:**

- Large program of extra pads

**Special colours available on request!**

